



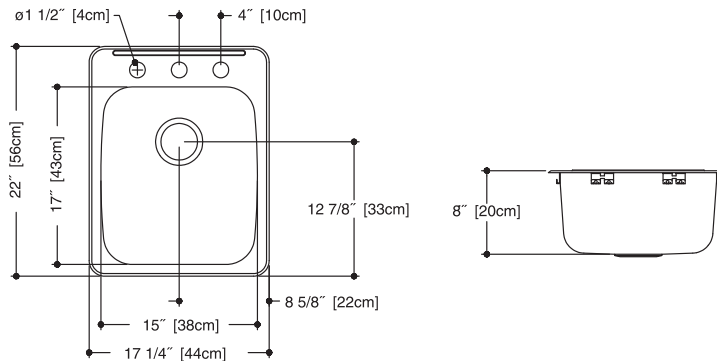
**Optional Accessories**



MB1710



BG70S



**QSL2217/8N SPECIFICATION**

Model QSL2217/8N is a single bowl, ledgeback sink manufactured for Franke Consumer Products from 20 gauge stainless steel. Product has a bright mirror finished rim and satin finished bowl. Sink is fully undercoated. Installation kit included. Sink is backed with a limited buyer lifetime warranty.

- O.D. 22" x 17 1/4" x 8" (56 x 44 x 20 cm)
- **Recommended for minimum 21" cabinet**

Standard drilling: QSL2217/8N/3 3 hole - 1 1/2" diameter, 4" center-to-center **FUN# 101.0062.345**

Optional drilling: QSL2217/8N/1 1 hole on center **FUN# 101.0062.344**